

CONSTRUCTION / CLASSIFICATION

Vessel built by	Keppel Singmarine Pte Ltd
Year of construction	2011
Classification	Bureau Veritas
Port of registry	Limassol, Cyprus

FEATURES

Rock installation capacity abt. 2,000 t/h.

Installation depth of 700 m through fallpipe with inner diameter of abt. 700 mm. Optional: Depth range can be extended to 1,500 m.

Diesel electric propulsion system comprising three main diesel generator sets and one auxiliary diesel generator set.

Accommodation on fore ship, complement 60 persons.

Rock installation system and moonpool in mid ship.

Innovative fall pipe ROV with integrated various survey systems.

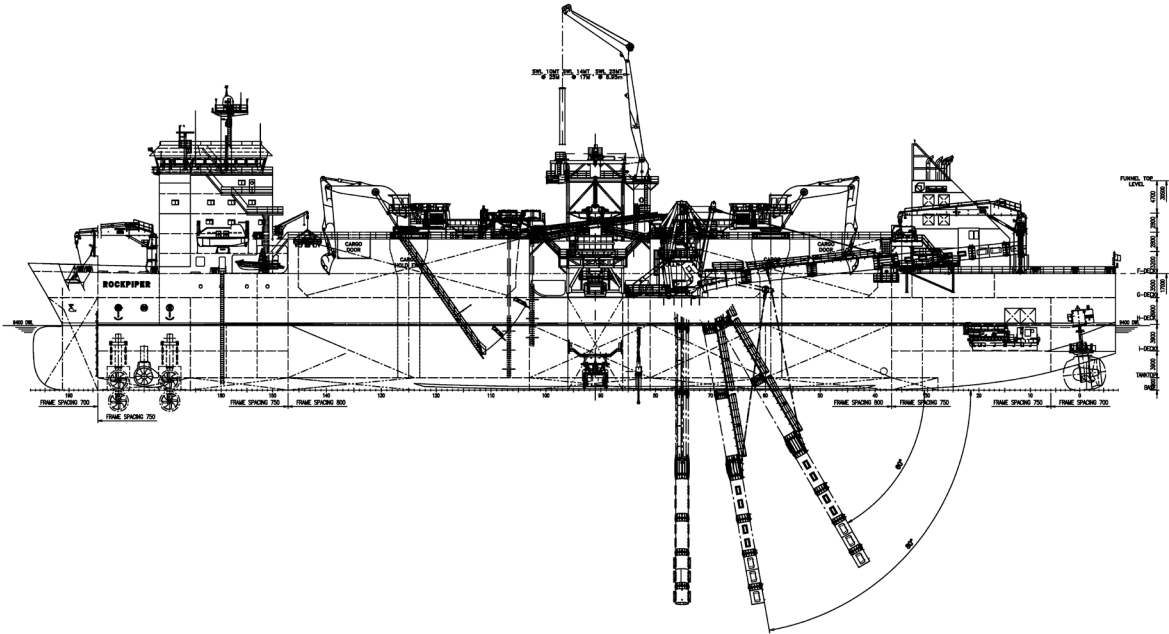
Inclined fallpipe (IFP), mounted on the port side of the vessel with inner diameter of 1,800 mm (outside of the hull)

Optional:

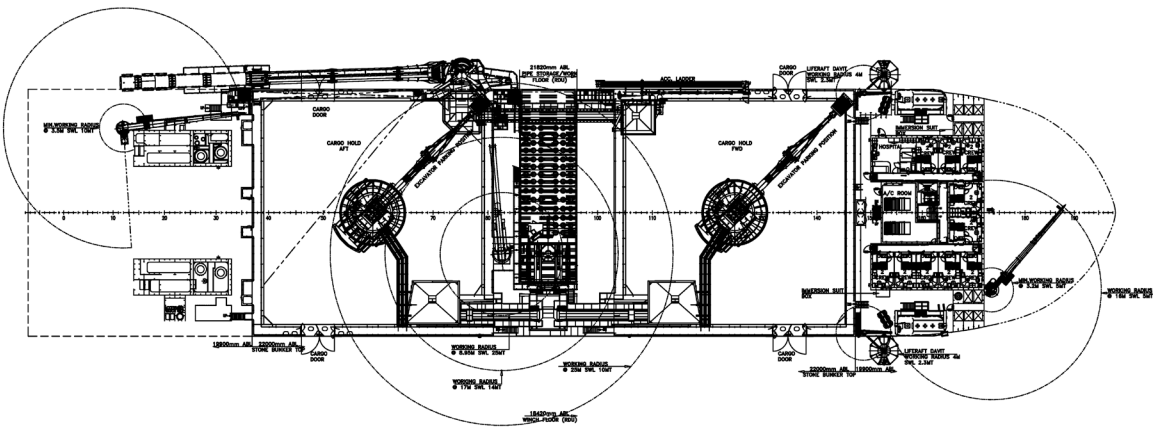
- Deflector, mountable on fallpipe ROV
- Jet Flow Tool, mountable on fallpipe ROV
- Solid Ballast Unit, mountable on aft deck
- FPROV leveling tool, mountable on the fallpipe ROV
- Fallpipe with inner diameter 1,000 mm
- Aft belt / side chute

MAIN DATA

Dynamic Positioning system	DP-2
Positioning system	DGPS, HIPAP, Fanbeam, RADius
Length overall	158.60 m
Breadth	36.00 m / 40.5 m incl. IFP foundation
Moulded depth	13.50 m
Design draught	9.40 m
Cargo carrying capacity	23,500 t
Sailing speed loaded	12.0 kn
Total installed power	15,192 kW (3 x 4,500 kW + 1 x 1,200 kW + 1 x 492 kW)
Main engines	3 x 4,500 kW (3 x main generator sets)
Main propellers	2 x 4,500 kW (2 x azimuth thrusters)
Azimuth thrusters	2 x 1,500 kW (2 x retractable thrusters)
Bow thruster	1 x 1,000 kW



SIDE VIEW - PORT SIDE



TOP VIEW - DECK LEVEL